

VF, VZ Series Solenoid Valve



Ordering code

VF3 **1** - **30** **AC220V** - **W**

Series
VF3 series
VF5 series
VZ5 series

Coil and places
1: Single-head double-position
2: Double-head double-position
3: Double-head three-position close centre
4: Double-head three-position exhaust centre
5: Double-head three-position pressure centre

Order NO.
VF3: 30
VF5: 20
VZ5: 20

Coil voltage
DC12V
DC24V
AC24V 50Hz/60Hz
AC110V 50Hz/60Hz
AC220V 50Hz/60Hz
AC380V 50Hz/60Hz

Electrical entry
Blank: Standard connector
LD: Brown connector with light
LD: White connector with light
W: Lead wire type

Base ordering code

VF3000M - **□F**

Specification code
VF3000M: for VF3 series
VF5000M: for VF5 series
VZ5000M: for VZ5 series

Joint base NO.

Specifications

Model	VF3130	VF3230	VF33(4/5)30	VF5120	VF5220	VF53(4/5)50	VZ5120	VZ5220	VZ53(4/5)50
Position and way NO.	5/2 way		5/3 way	5/2 way		5/3 way	5/2 way		5/3 way
Effective area	16mm ² (CV=0.89)	12mm ² (CV=0.67)	25mm ² (CV=1.40)	18mm ² (CV=1.00)		12mm ² (CV=0.67)	9mm ² (CV=0.50)		
Fluid	40 micron filtered air								
Operation	Inside pilot type								
Operating pressure	0.15~0.8MPa								
Proof pressure	1.2MPa								
Operating temperature	5~50°C								
Allowable voltage	±10% of rated voltage								
Power consumption	AC: 4.5VA DC: 3W								
Coil insulation & protection grade	Class F. IP65								
Electrical entry	Lead wire or connector type								
Highest action frequency	5 cycle / second								
Shortest excitation time	0.05 second								



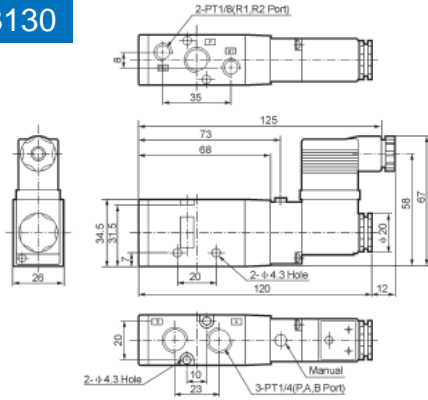
VOGUE PNEUMATICS

Ningbo Vogue Pneumatics Industry Co., Ltd.

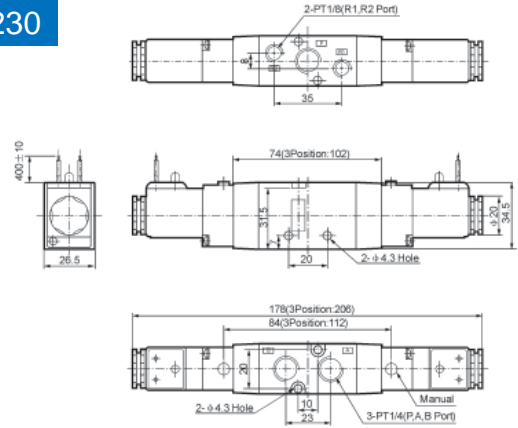
VF, VZ Series Solenoid Valve

Dimensions

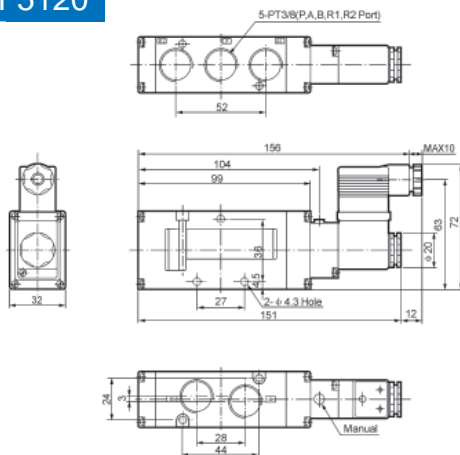
VF3130



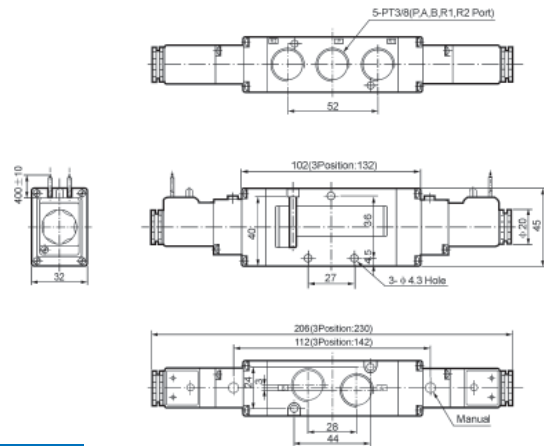
VF3230



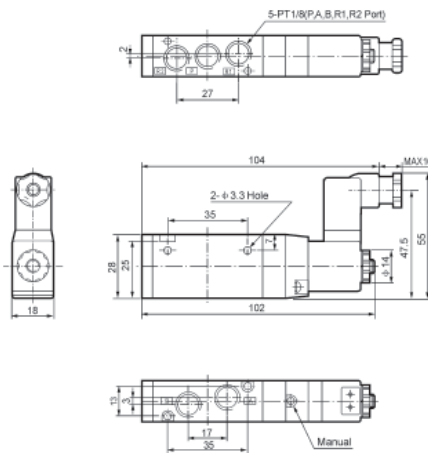
VF5120



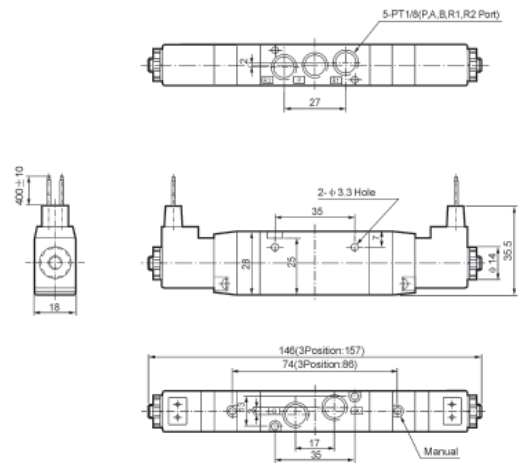
VF5220



VZ5120



VZ5220



27

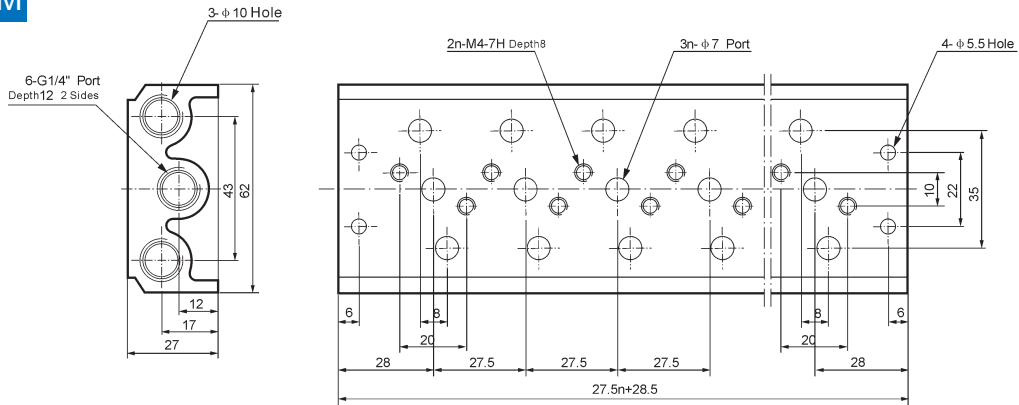
I CONTROL COMPONENT

TEL:0086-574-88870283

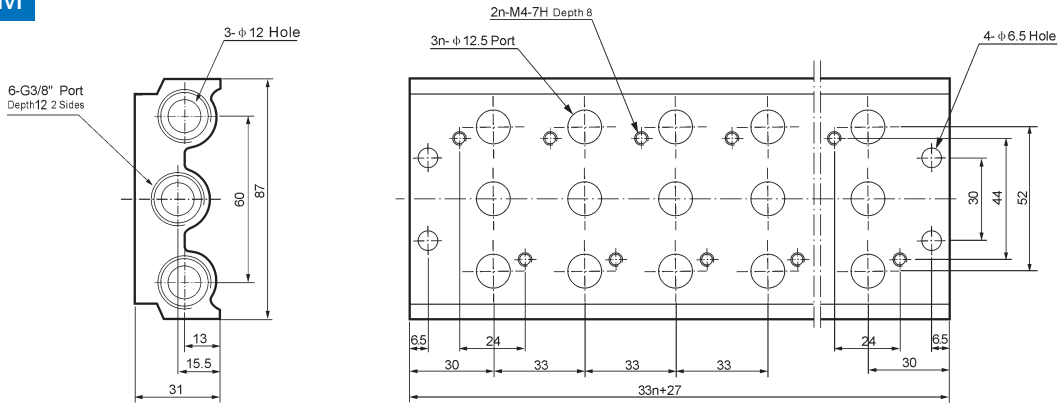
VF, VZ Series Solenoid Valve

● Dimensions

VF3000M



VF5000M



VZ5000M

